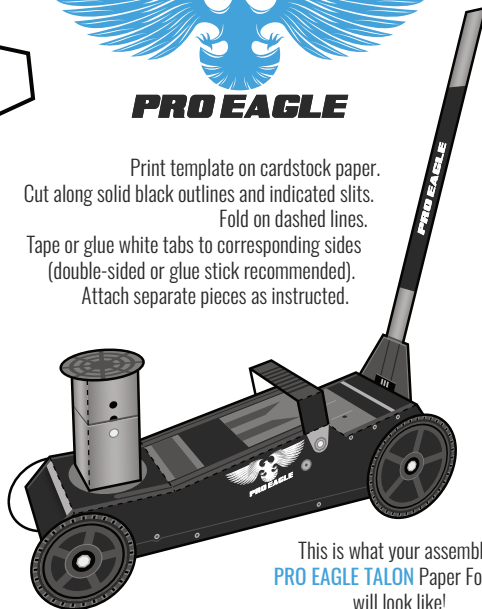


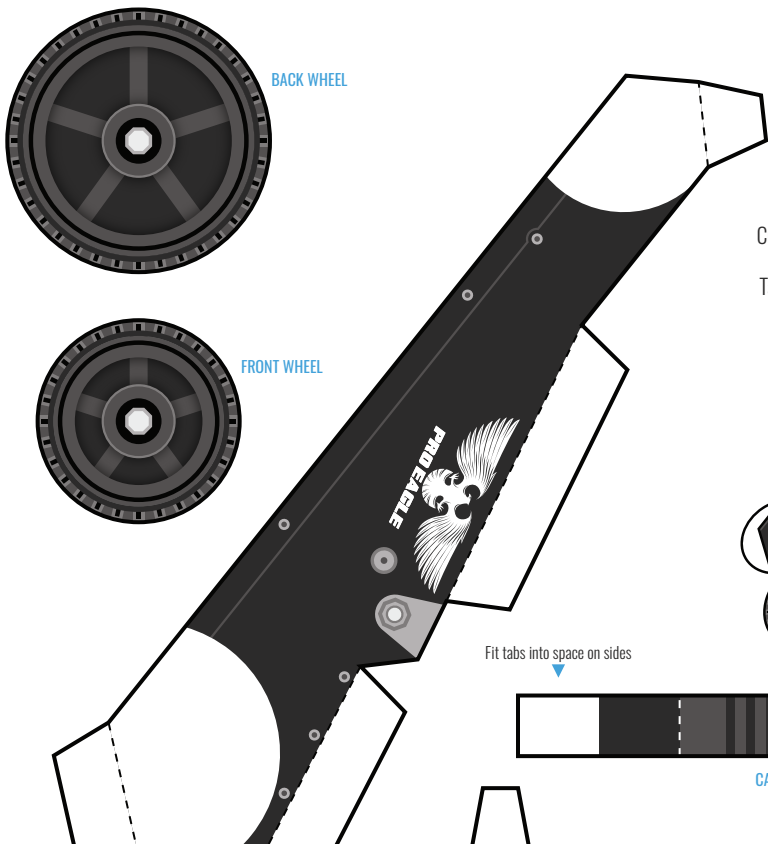


PRO EAGLE

Print template on cardstock paper.
Cut along solid black outlines and indicated slits.
Fold on dashed lines.
Tape or glue white tabs to corresponding sides
(double-sided or glue stick recommended).
Attach separate pieces as instructed.



This is what your assembled
PRO EAGLE TALON Paper Foldable
will look like!



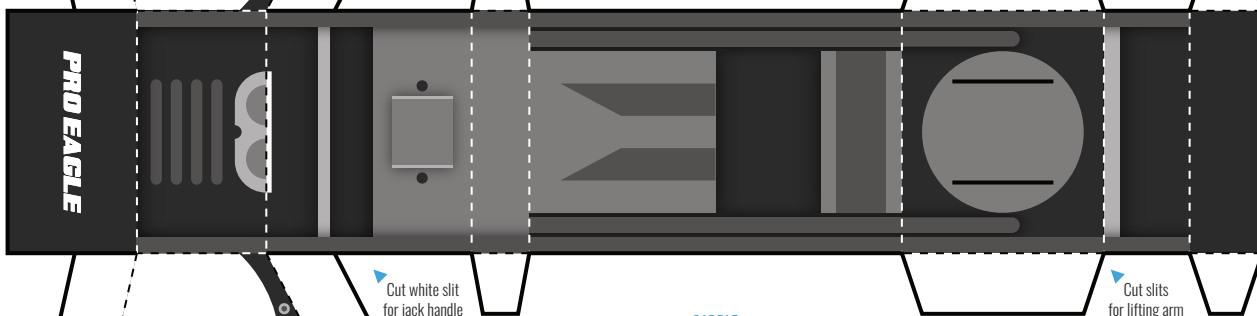
BACK WHEEL

FRONT WHEEL

Fit tabs into space on sides



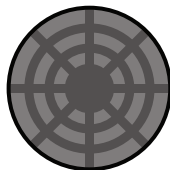
CARRY HANDLE



Cut white slit
for jack handle

Cut slits
for lifting arm

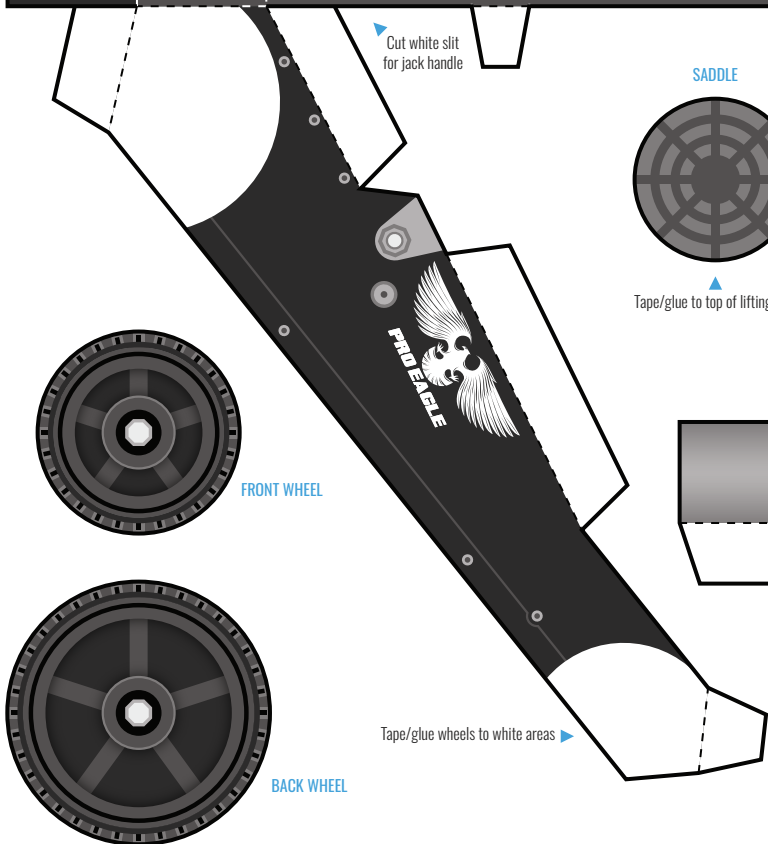
SADDLE



Tape/glue to top of lifting arm

Assemble, then fit tabs into cut slits

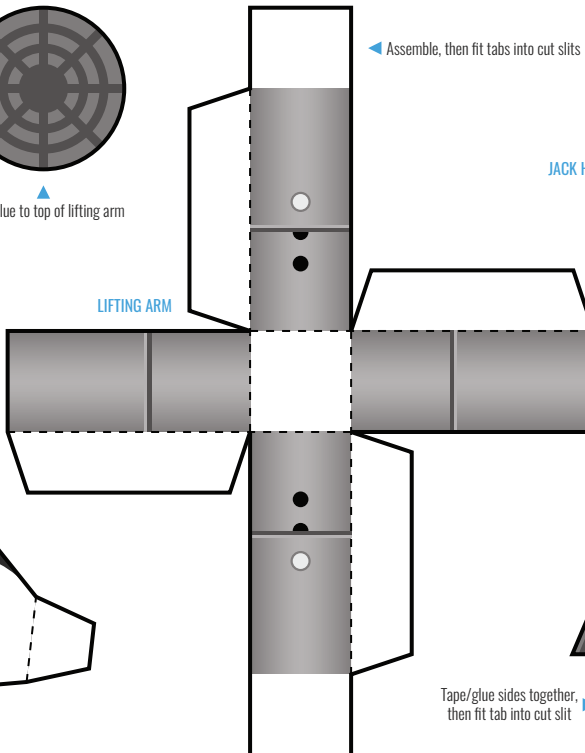
JACK HANDLE



FRONT WHEEL

BACK WHEEL

Tape/glue wheels to white areas



LIFTING ARM

Tape/glue sides together,
then fit tab into cut slit

